

Pioneering for You

HVAC OEM Competence Centre

Stratos PARA **/1-12

Datasheet



ErP
READY

APPLIES TO
EUROPEAN
DIRECTIVE
FOR ENERGY
RELATED
PRODUCTS

Stratos PARA **/1-12



Field of application



Heating/ Geothermal /Solar

Stratos PARA 25/1-12 T1

Stratos PARA

Electronically controlled High Efficiency pump

25

Threaded connection DN 25 (30: also available)

1-12

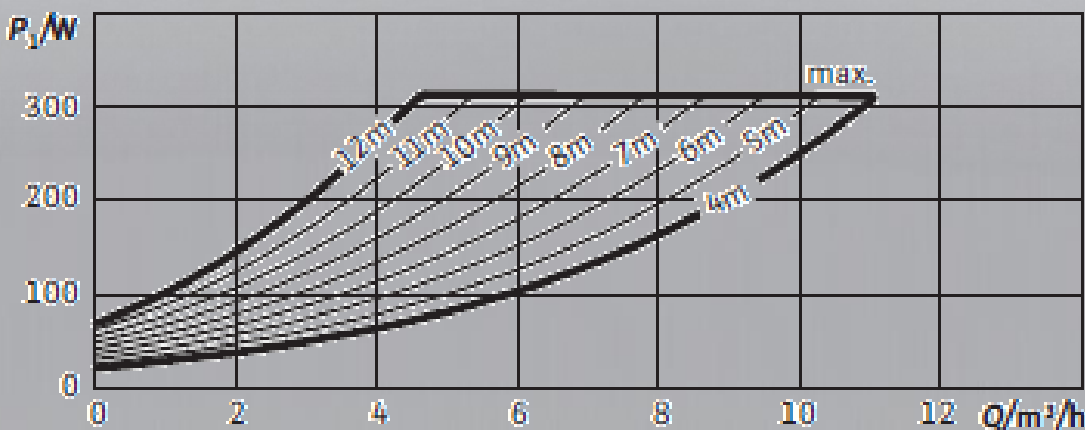
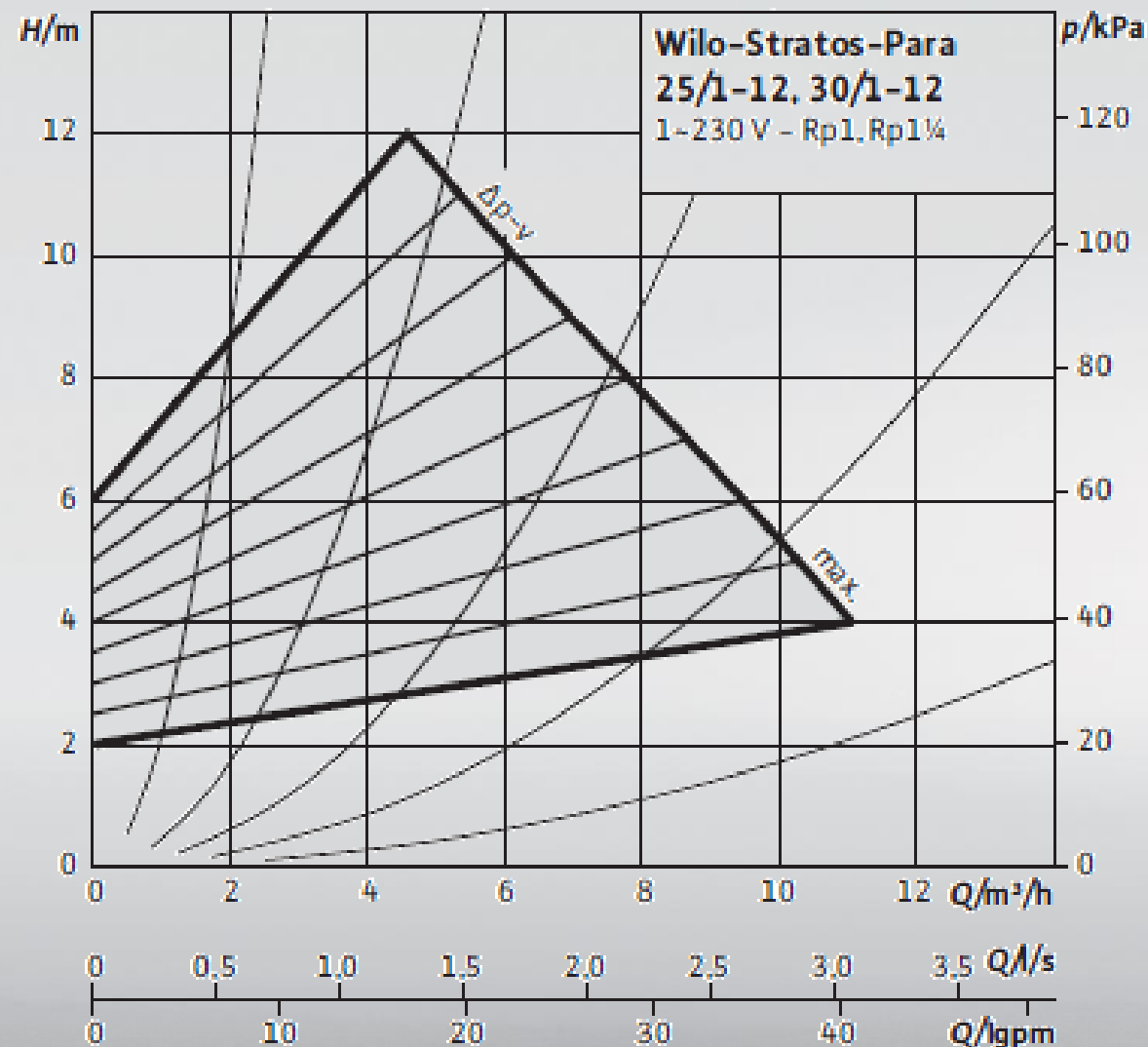
1-12 = delivery head in [m] at $Q = 0 \text{ m}^3/\text{h}$

T1

The pump is controlled by Red Knob technology
 ΔP -v, for variable differential pressure
 ΔP -c, for constant differential pressure
 Control input "Analog in 0 ... 10V" with cable breake detection
 Collective fault signal SSM

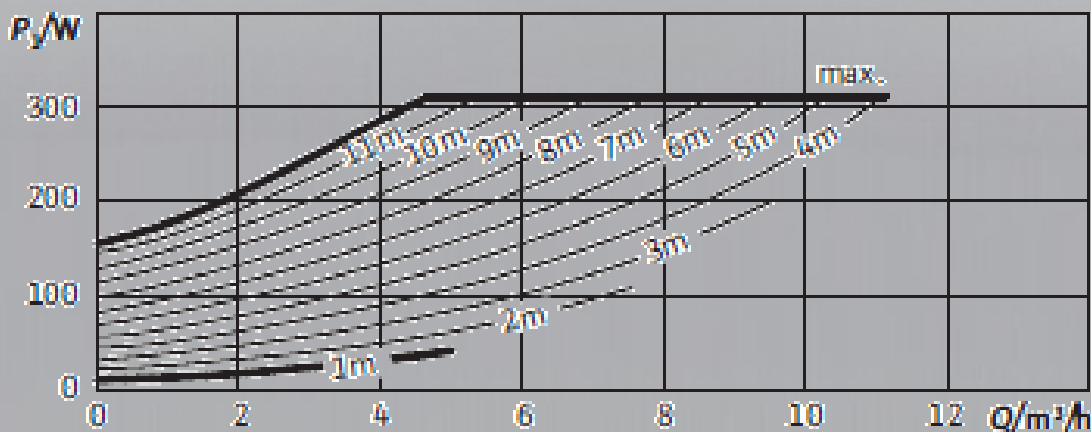
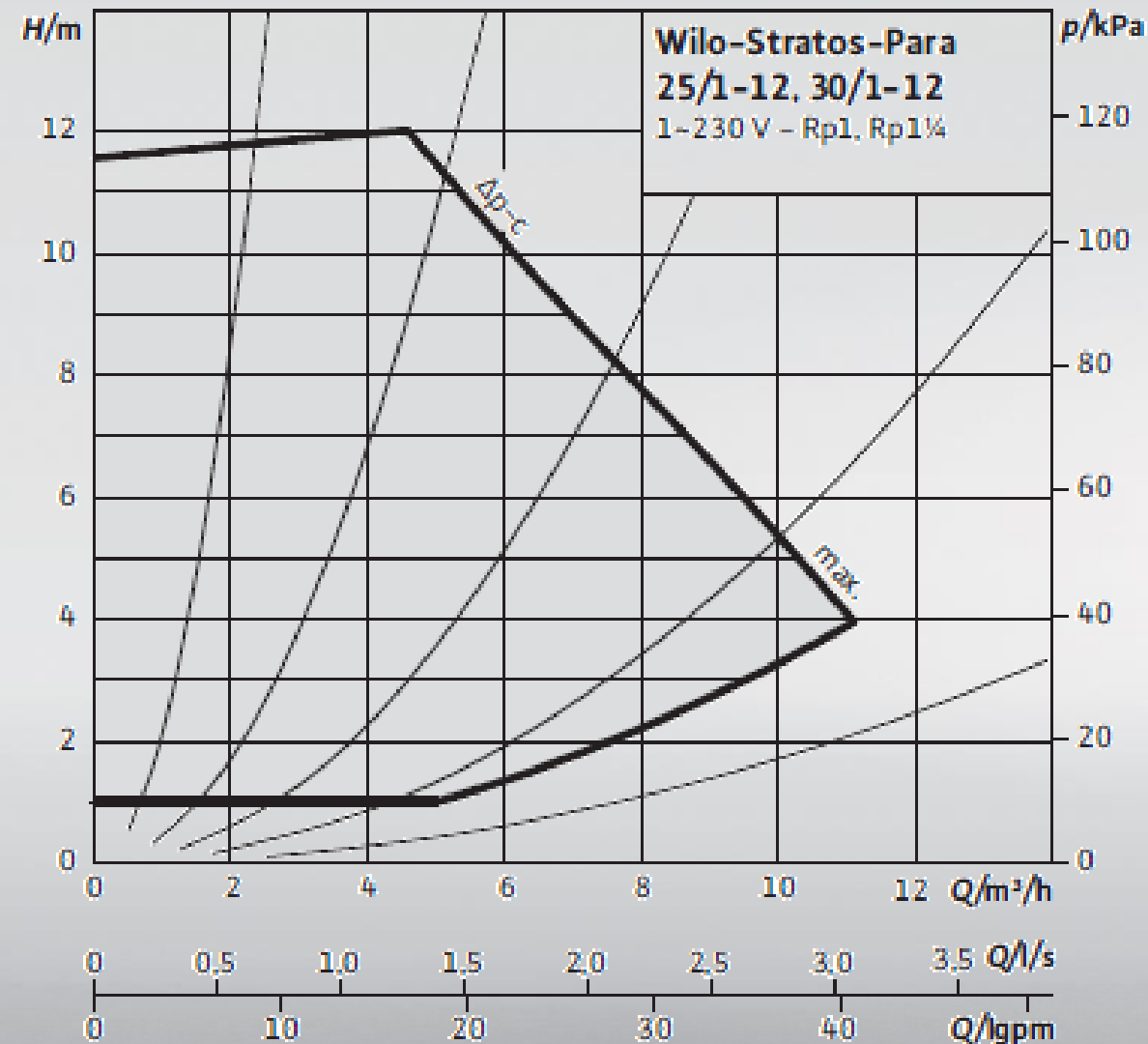
Hydraulic operational area Δp -v (variable)

Δp -v (variable)



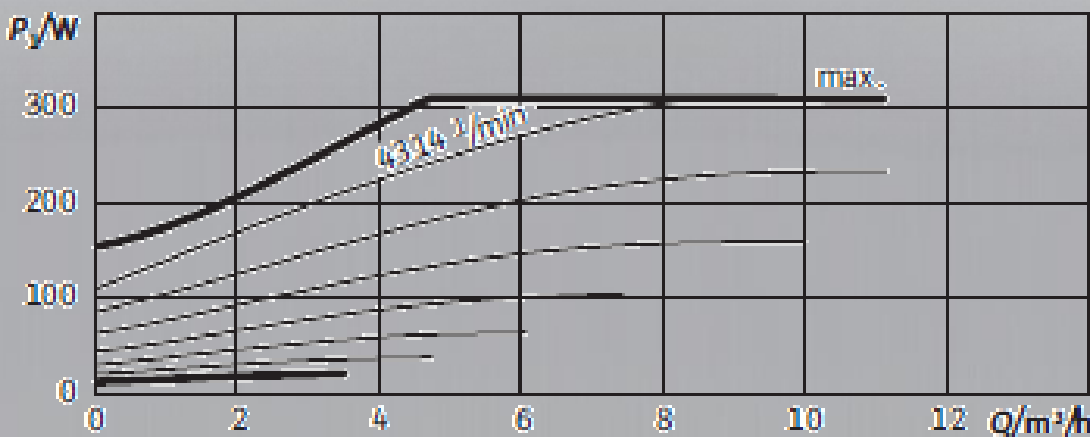
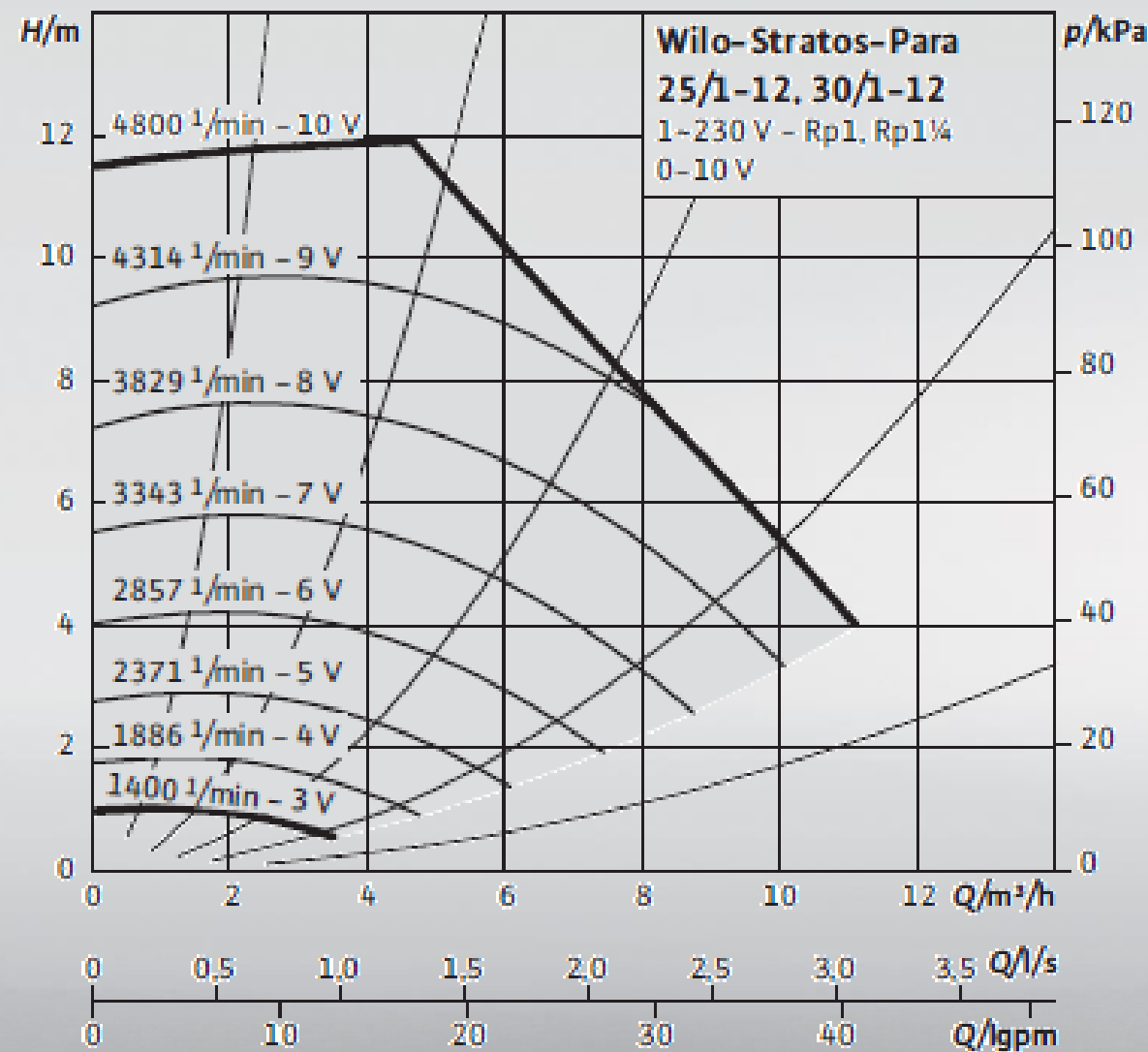
Hydraulic operational area Δp -c (constant)

Δp -c (constant)



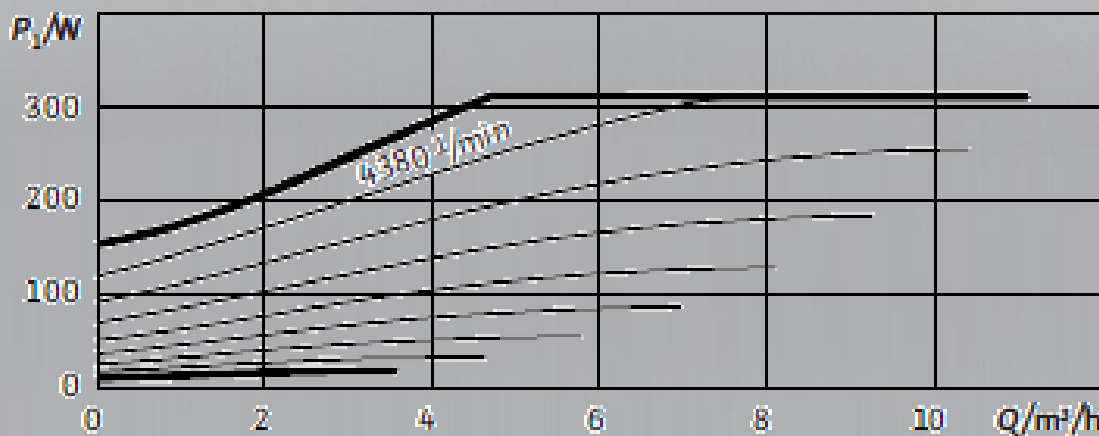
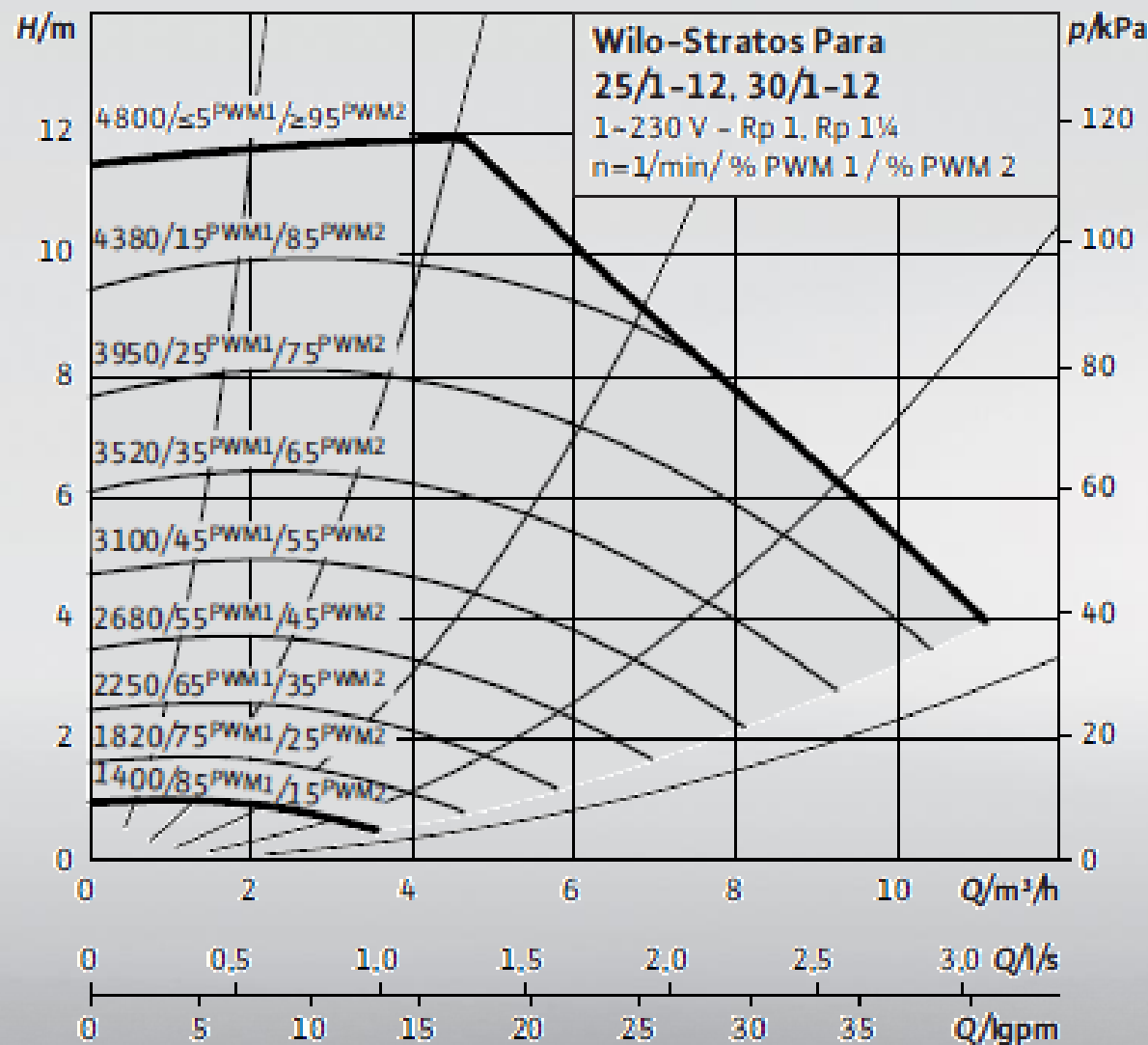
Hydraulic operational area external control Analog-In 0-10V

External control mode via Analog-In 0-10 V



Hydraulic operational area external control PWM

External control via PWM



Electrical connections

wilo

Mains cable

Standard	1,5 m with end splices
Optional	2,2 m with end splices
	According to customer specification

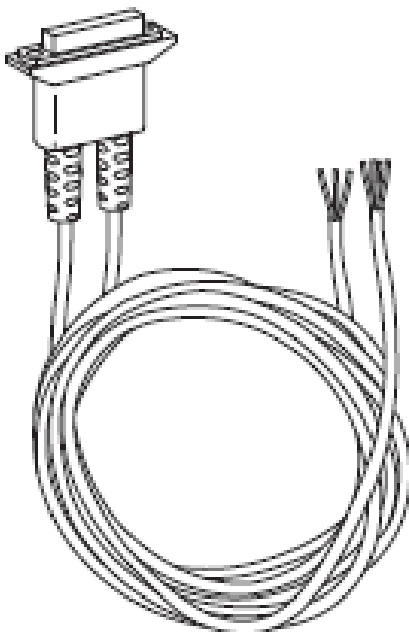
Mains and 2-core control cable

Standard	-
Optional	According to customer specification

Mains and 4-core control cable

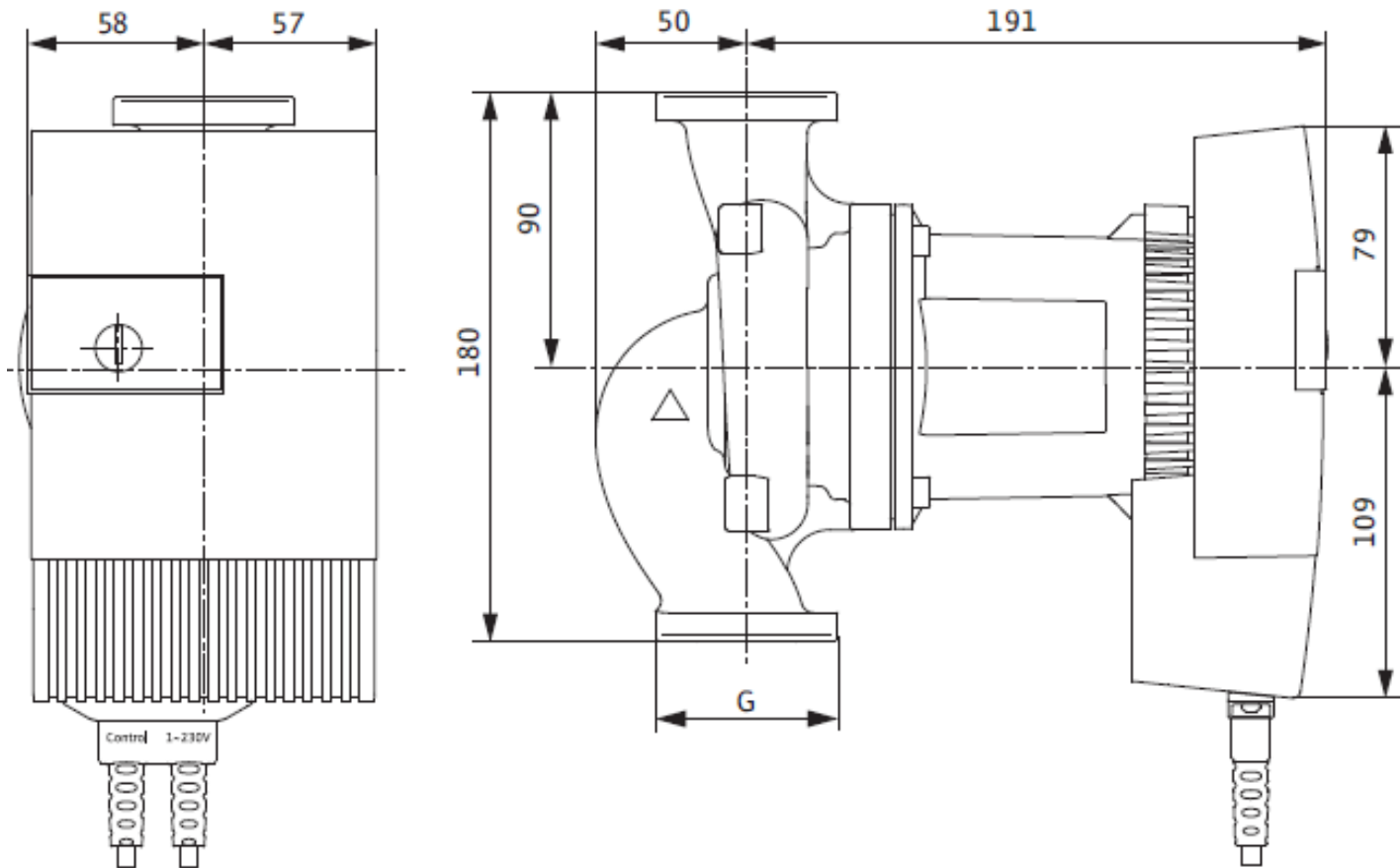
Standard	1,5 m with end splices
Optional	2,2 m with end splices
	According to customer specification

Standard mains and control cable with end splices





Dimensions



Stratos PARA 25/1-12	G1 1/2 "	Rp1"
Stratos PARA 30/1-12	G2"	Rp1 1/4"

Approved fluids (other fluids on request)	Heating water (in accordance with VDI 2035) Water-glycol mixtures (max. 1:1; above 20% admixture, the pumping data must be checked)
--	--

Power

Energy Efficiency Index (EEI)	≤ 0,23
Max. delivery head	12 m
Max. volume flow	10.0 m ³ /h

Permitted field of application

Temperature range for applications in HVAC systems at max. ambient temperature. Limit values for continuous operation at maximum rated power	Of 25°C = -10 to 110°C Of 40°C = -10 to 90°C Of 45°C = -10 to 80°C Of 50°C = -10 to 65°C Of 55°C = -10 to 50°C Of 60°C = -10 to 35°C Of 65°C = -10 to 20°C
Maximum static pressure	PN 10

Electrical connection

Mains connection	1~230 V +10%/-15%, 50/60 Hz (IEC 60038 standard voltage)
------------------	--

Motor/electronics

EC Machinery directive	2006/42/EG
Electromagnetic compatibility	Directive 2004/108/EG
Emitted interference	EN 61000-6-3
Interference resistance	EN 61000-6-2
Protection class	IPx4D
Insulation class	F
RoHS / REACH	Not submitted

Minimum suction head at suction port to avoid cavitation at water pumping temperature

Minimum suction head at 50/95/110°C	3 / 10 / 16m
-------------------------------------	--------------

Motor data

Stratos PARA	Speed	Power consumption 1-230 V	Current at 1-230 V	Motor protection
	n	P1	I	-
	rpm	W	A	-
1 - 12	1400 - 4800	16 - 310	0.16 - 1.37	Integrated

Materials

Stratos PARA	Pump housing	Impeller	Pump shaft	Bearing
1 - 12	Grey cast iron (EN-GJL-200)	PP composite with GF 40%	Stainless steel	Carbon, metal impregnated

wilo

WILO
HVAC OEM Competence Centre

50 av. Casella
18700 - Aubigny sur Nère
France
T +33 2 48 81 62 62
information@wilointec.com
www.wilo-oem.com

Pioneering for You